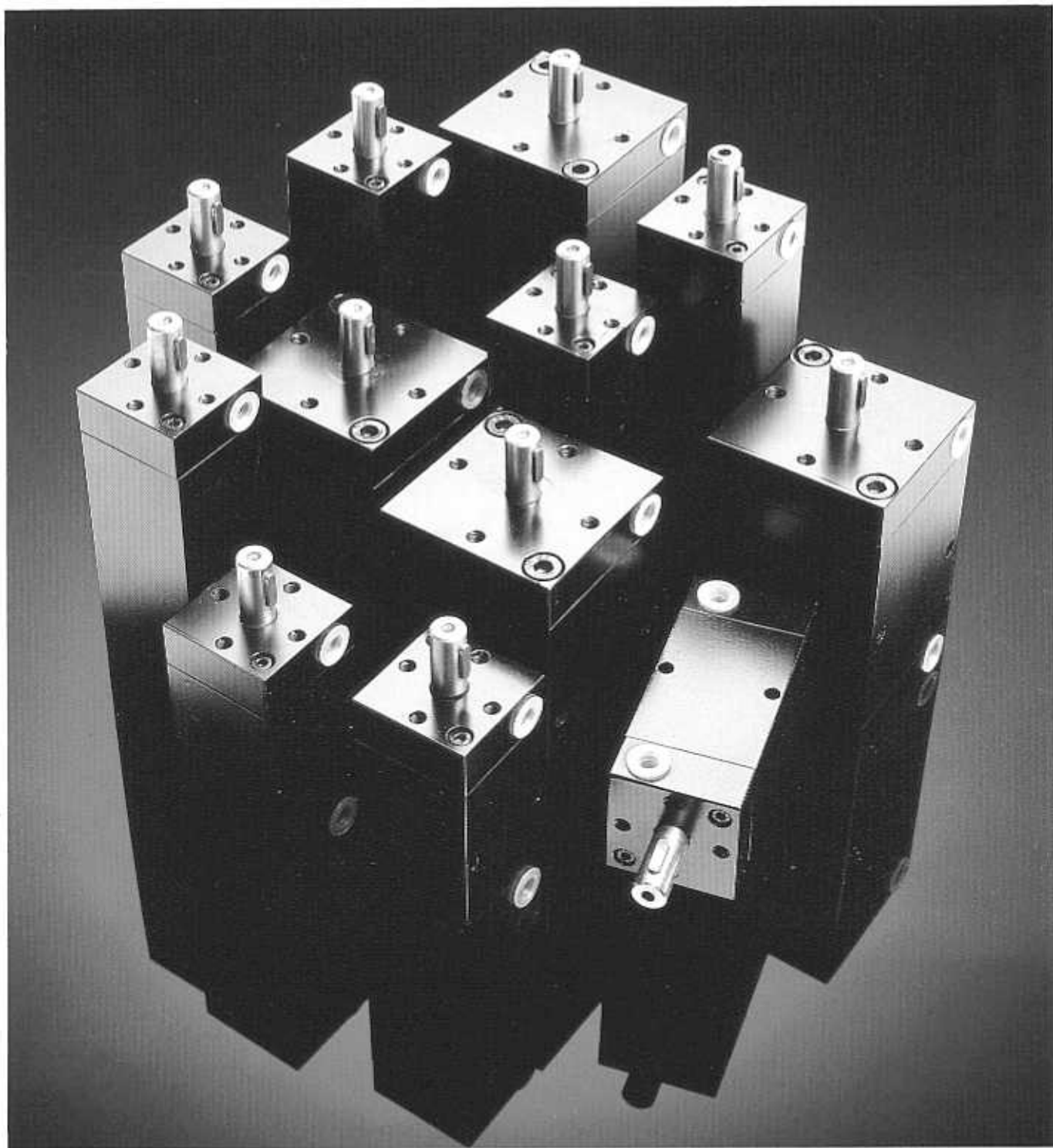


E2

ROTARY ACTUATOR

Series 15 for max 1,0 MPa (10 bar, 145 psi)



General

The wellknown Bohlin rotary actuator is double acting. The smooth rotary motion is achieved by using a helix drive in a very compact design. The stainless steel helix shaft is guided by a rugged ball bearing which will accept loads as given below.

Shock absorbers should be used for deceleration control. External stops must be utilized to give exact degree of travel.

Technical data

Media: Air or oil.

Temperature: -20°C — $+90^{\circ}\text{C}$
(-4°F — $+194^{\circ}\text{F}$).

Pressure: Max 1,0 MPa (10 bar, 145 psi).
(For higher pressure consult factory.)

Degree of rotation: 90° , 180° , 270° , 360°
with 3° — 8° overtravel. (For other angles consult factory.)

	Type	90°	180°	270°	360°
Weight: (kgs)	15—01	0,9	1,1	1,3	1,5
	15—02	2,3	2,9	3,5	4,1

Material

Barrel: Steel, blackfinished.

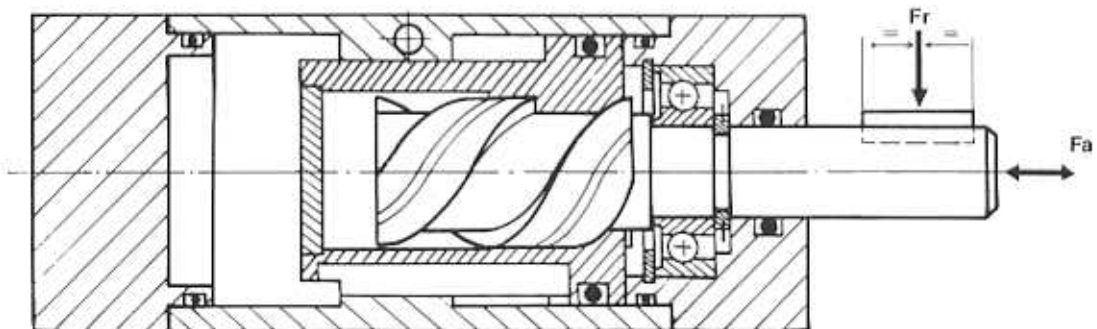
Endcaps: Aluminum, black anodized.

Piston: Brass.

Shaft: Stainless steel.

Seals: Nitrile (Viton seals available).

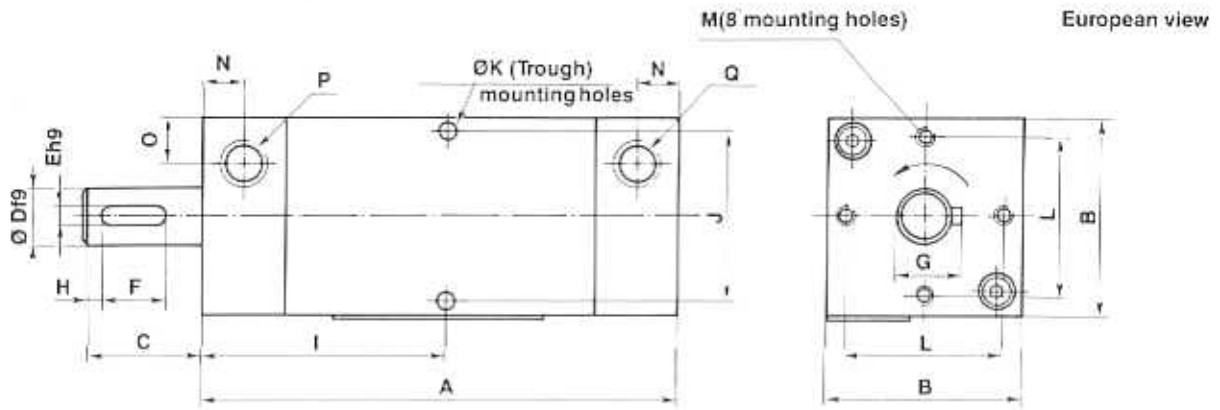
Design



Type	Ø mm	Torque at 0,6 MPa (85 psi)	Fr max	Fa max
15—01	36	2,5 Nm (22,8 in.lb)	300 N	800 N
15—02	64	7,5 Nm (66,4 in.lb)	300 N	800 N

1 MPa = 10 bar; 1 Nm \approx 0,1 kpm; 1 kg \approx 2,2 lbs.

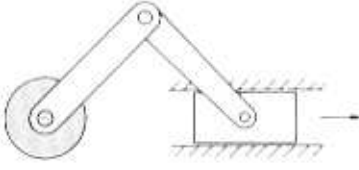

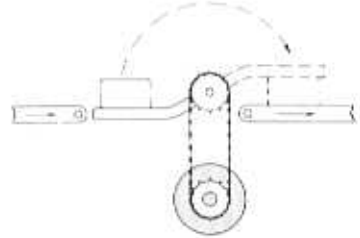
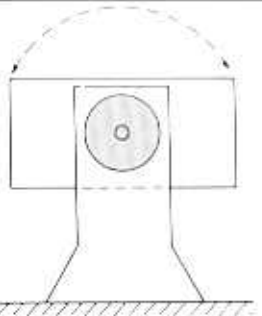
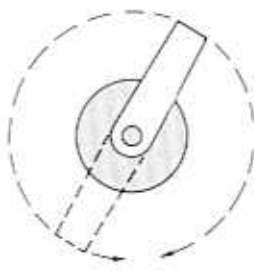
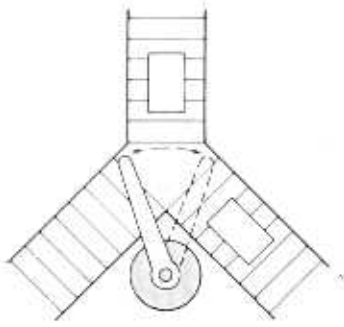
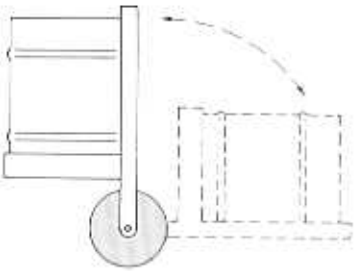
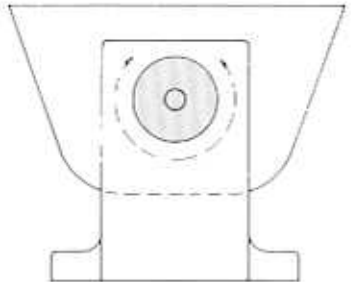
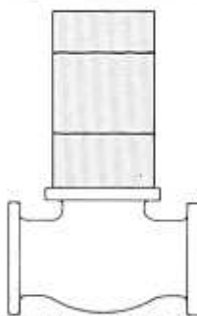
We design a lot of specials for different applications. Please consult factory and discuss your requirements as regards material, dimensions, mountings etc.



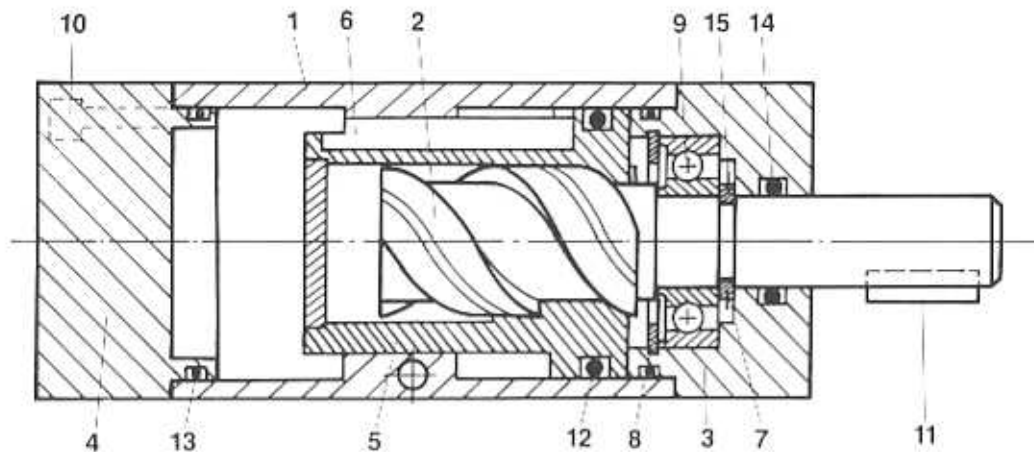
Model	Piston dia.	A				B	C	D	E	F	G	H	I				J	K	L	M	N	O	P, Q
		90°	180°	270°	360°								90°	180°	270°	360°							
15-01	Ø 36	100	124	148	172	45	26	12	4	14	13,5	4	53	65	77	89	37,5	5,2	34	M5 x 8	9	11,5	1/8" BSP
15-02	Ø 64	100	124	148	172	70	26	12	4	14	13,5	4	53	65	77	89	55	6,5	55	M6 x 12	9	11,5	1/4" BSP

The location of the key is shown with air pressure in port Q. Pressure in port P gives counter — clockwise rotation, viewed from rod end. See also arrow on the right view above.

SUGGESTED APPLICATIONS

 <p>Oscillating Harmonic Motion</p>	 <p>All Bending Operations</p>	 <p>Flipover Between Work Stations</p>
 <p>Rollover or Positioning For Welding or Machining Fixtures</p>	 <p>Turn or Oscillate</p>	 <p>Conveyor Sorting, Gates, etc.</p>
 <p>Lift or Rotate</p>	 <p>Positioning, Turnover or Dumping</p>	 <p>Plug or Butterfly Valve Turning or Positioning</p>

SPARE PARTS



Pos	Designation		Part No Dia 36	Part No Dia 64
1	Cylinder housing	90°	015U001017	015U005010
		180°	015U001016	015U005009
		270°	015U001015	015U005008
		360°	015U001014	015U005007
2+5+6	Screw + Piston (without keyway on shaft)	90°	015R001010	015R005010
		180°	015R001011	015R005011
		270°	015R001012	015R005012
		360°	015R001013	015R005013
3	Front end cover		015U001013	015U005006
4	Rear end cover		015U001012	015U005005
6	Wedge (2 pcs)	90°	415A141002	415A141002
		180°	415A141003	415A141003
		270°	415A141004	415A141004
		360°	415A141005	415A141005
7	Lock ring		015U001006	015U001006
8	Circlip		415A151012	415A151012
9	Bearing		419A100001	419A100001
10	Screw (4 pcs)		411A121003	411A121004
11	Wedge		415A141001	415A141001
12+13+14	Set of seals		015R001001	015R005001
15	Circlip		415A151011	415A151011

Please note that **spare** screw does not include keyway on shaft.
Set of seals in Viton are available; add "Viton" after part No.

DISTRIBUTOR:

E2 SYSTEMS AB

Strömslundsgatan 3
S-502 51 BORÅS
SWEDEN

Tel: +46 33 15 60 75

Fax: +46 33 15 55 05